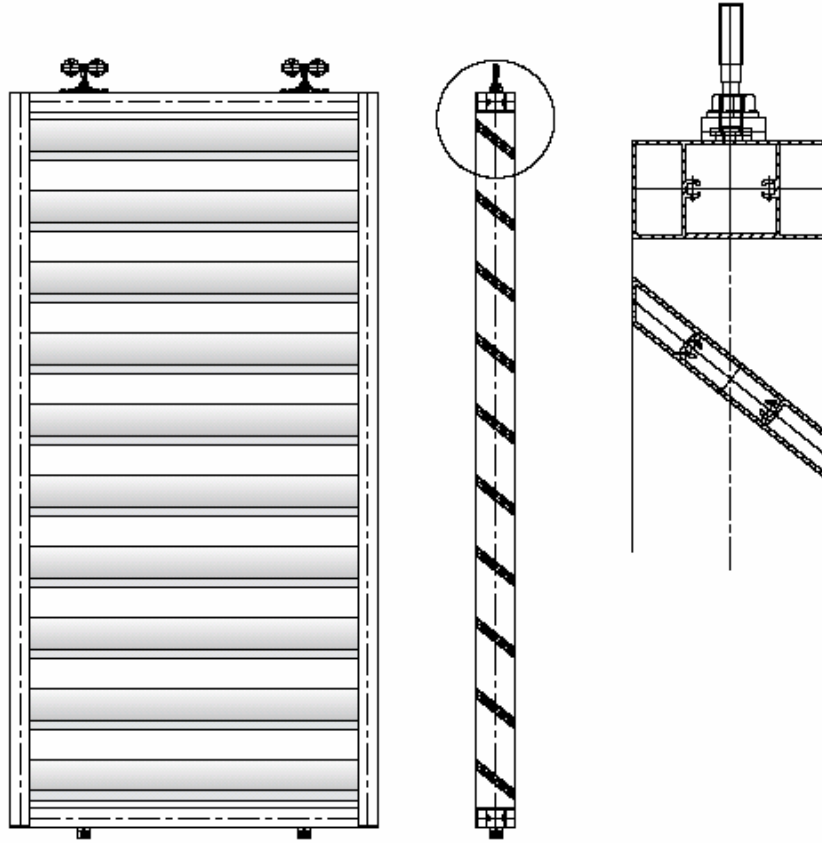


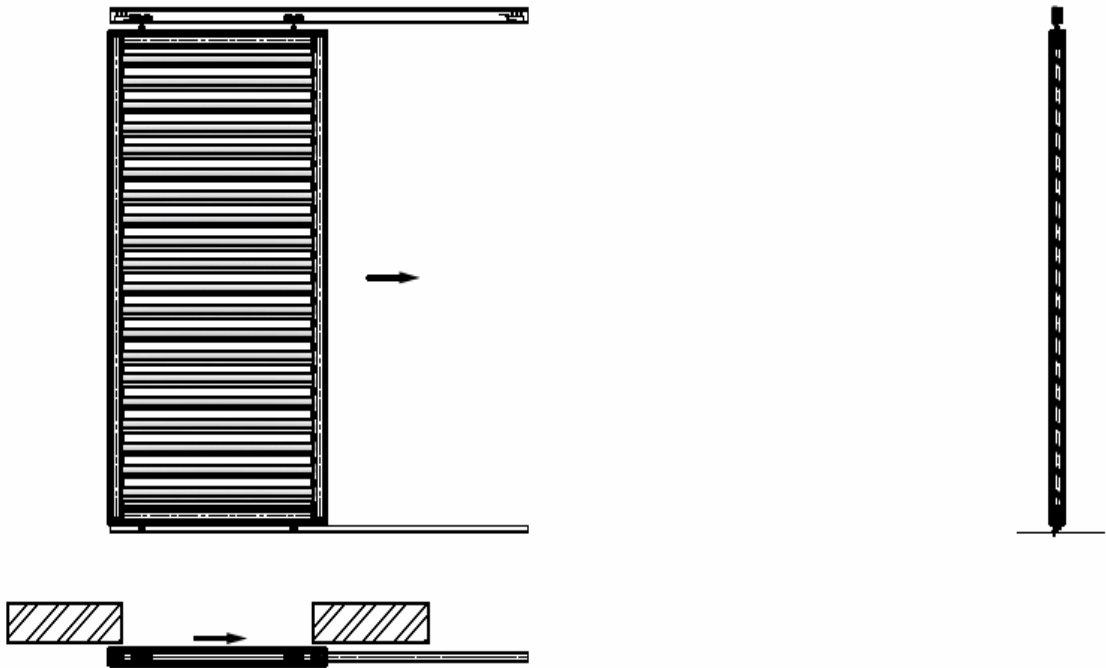
DucoSlide Lux Frame 40/80



Types of sliding systems

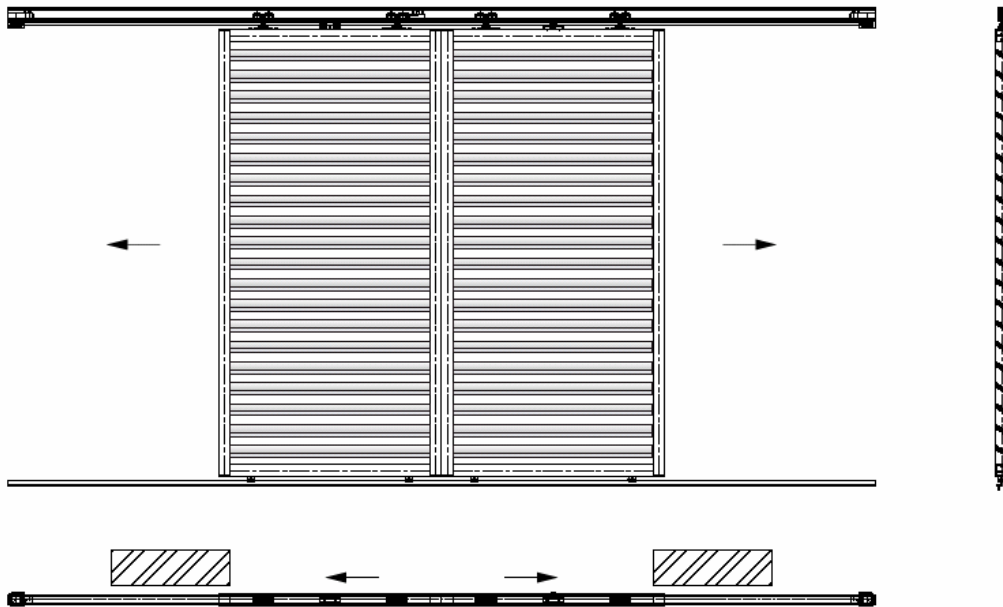
→ Single sliding system

Individually operable independent shutter panels.



→ **Double sliding system**

Two shutter panels joined to each other that move towards each other or move away from each other in a symmetrical fashion.



→ **Telescopic sliding system**

Two or three parallel shutter panels joined to each other that slide in a telescopic manner.

